

WARNING:

- Tire chains are designed for use as a traction device only. They are not to be used for any other purpose such as towing, lifting, etc.
- **DO NOT EXCEED 30 MPH.** Accelerate slowly. ***AVOID SPINNING WHEELS.** The life of tire chains will vary according to road conditions, driving speed, and individual driving habits. Remove tire chains when driving on bare pavement.
- ***AVOID: LOCKING WHEELS WHEN BRAKING, DRIVING ON BARE PAVEMENT, HITTING CURBS, IMPROPER INSTALLATION, OR OTHER ACTIVITIES WHICH ACCELERATE CHAIN WEAR UNNECESSARILY.**
- ***CAUTION:** Tire chains and cables improve traction but are not intended to, nor do they meet all safe stopping and starting requirements; consequently, the user is cautioned and encouraged to use good judgement in their use.
- If chains should break, **IMMEDIATELY PULL OVER TO A SAFE PLACE** and remove, tie back, repair or replace the cross chain: ***DO NOT CONTINUE DRIVING WITH A BROKEN CROSS CHAIN.**
- Vehicle wheel well clearance for traction devices are the responsibility of the automobile manufacturer.
- Check owner's manual to determine if SAE Class "S" chains are required. ***Do not use on Audi 4000, 5000 and VW Quantum.**
- Chains are electro galvanized. They may corrode during usage, especially due to salt on the roads.
- Maintain your chains by washing them in hot water and drying them after use.

LIMITED WARRANTY:

These goods are warranted free from defects in workmanship and materials for 90 days from date of purchase.

DISCLAIMER OF WARRANTIES:

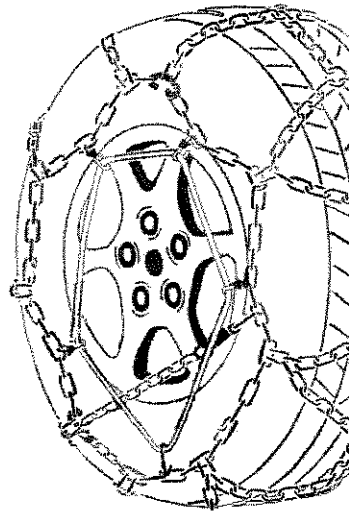
NO WARRANTY, EXPRESS OR IMPLIED, INCLUDING THE IMPLIED WARRANTY OF MERCHANTABILITY OR FITNESS FOR PARTICULAR PURPOSE, IS GIVEN AND NO AFFIRMATION OF SELLER, BY WORDS OR ACTION, SHALL CONSTITUTE A WARRANTY.

BUYER'S REMEDIES:

Buyer's sole remedy for breach of any warranty is limited exclusively to obtaining, at the discretion of Seller, either repair or replacement of any product sold hereunder and manufactured by Seller. The Seller will not pay any claim for labor on any of its products or for delays or damages by reason of their use. In no event shall Seller be liable for any incidental or consequential damages. Buyer must notify Seller, in writing, within 10 days of discovery of the alleged defect and within the warranty period stated above. Direct correspondence to: Manager, Quality Control at the address shown on this literature. After receiving authorization from Seller, product shall be returned to Seller's plant, transportation prepaid, within 30 days.

IMPORTANT

Follow All Directions Carefully When Installing Tire Chains



WARNING!

- Due to tire size variations between manufacturers, please try on your tire chains as soon as you purchase them. This assures you that when you need chains you have the proper size for your tires. Snow tires may require larger than regular tires.
- Tire Chains Can Break in Use.
- **STOP IMMEDIATELY & REPAIR** a broken chain. (Repair parts enclosed).
- Continued Travel with a Broken Tire Chain Causes Damage to Vehicle.
- Manufacturer Will Not be Responsible for Vehicle Damage. (See Warranty Information).



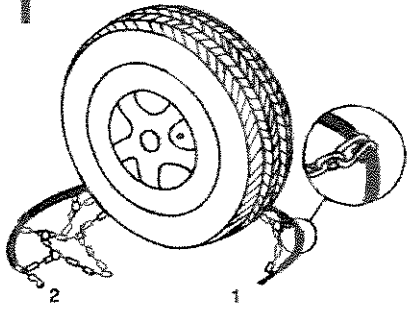
3365 N.W. 215TH AVE. HILLSBORO, OR 97124
Phone:(503)614-9664 1-800-843-8824



3365 N.W. 215TH AVE. HILLSBORO, OR 97124
Phone:(503)614-9664 1-800-843-8824

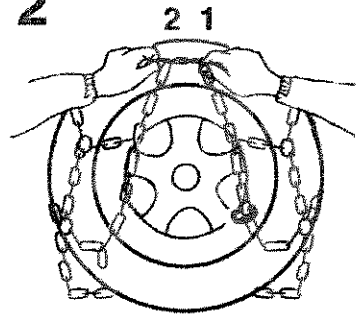
MOUNTING INSTRUCTIONS

1



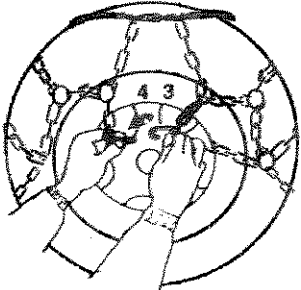
Lay the chain on the ground making sure that it is not entangled and that the open ends of the double hooks are facing the ground. Pass one side of the cable and chain behind the wheel.

2



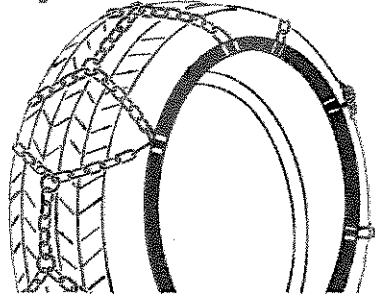
Take the two (1 and 2) and lift the wheel. Center the top of the tire.

3



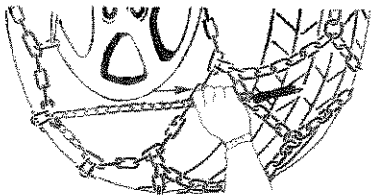
Pull the side chain to the center of the tire. Attach the side chain over the flat hook. (3 and 4)

4



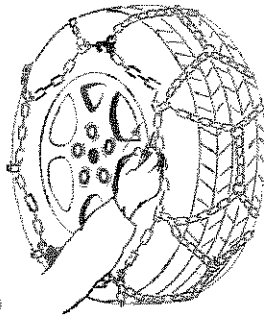
Slide the cable centering the side chain. Be sure that the cable is centered on the edge of the tire.

5



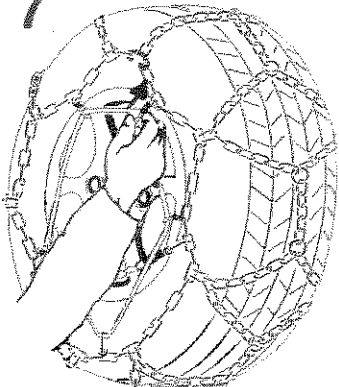
Attach the tensioning chain to the hook (5). Pull the tensioning chain in the opposite direction tightly.

6



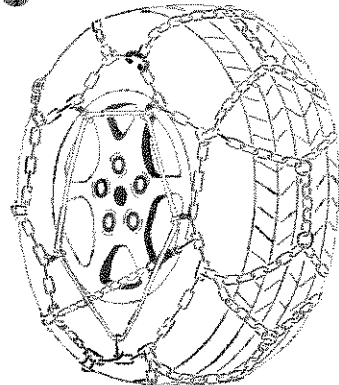
Hook it firmly to the tensioning chain.

7

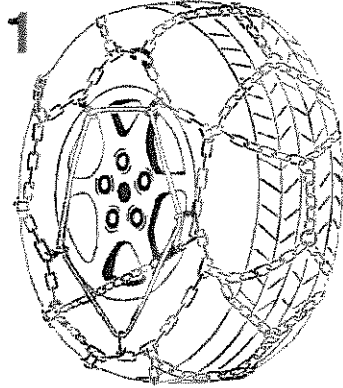


Attach the rubber tensioner to equal segments of the side chain, as shown.

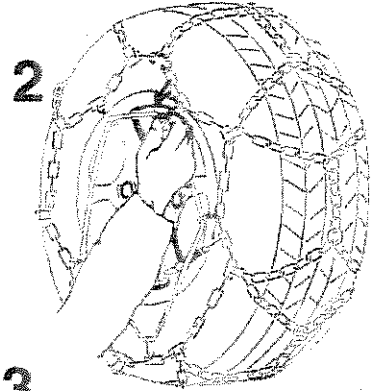
8



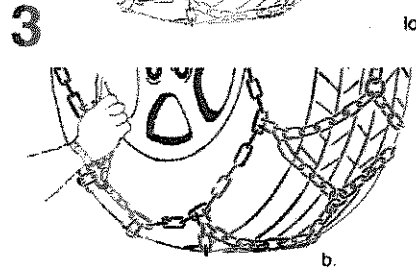
DISMOUNTING INSTRUCTIONS



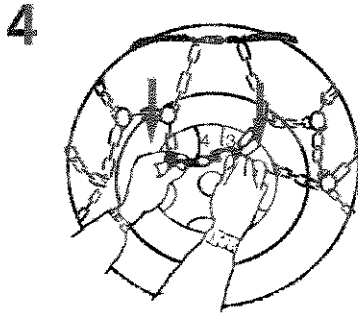
1
Stop the car so that the flat hook (3) on the side chain is at the top center of the wheel.



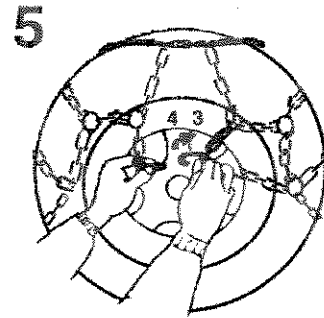
2
Detach rubber cap, unhook the tensioner from the side chain.



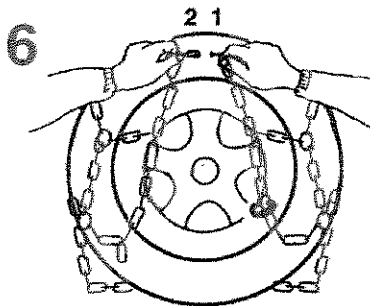
3
Disengage the locking device.



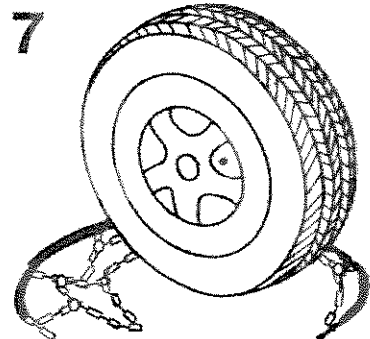
4
Hold the chain near the ends (3 and 4) and pull it downwards.



5
Unhook the flat link (4) of the side chain.

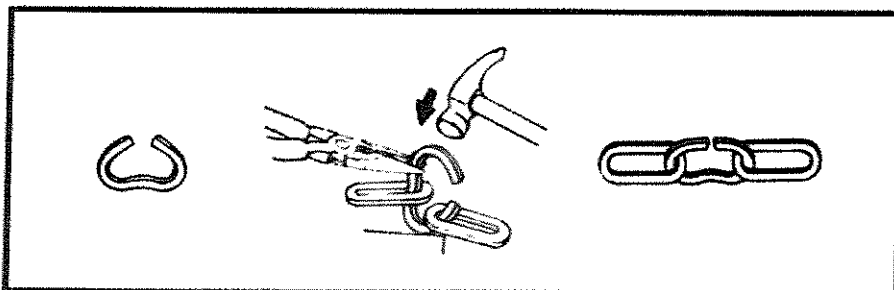


6
Unhook the ends of the cable (1 and 2).

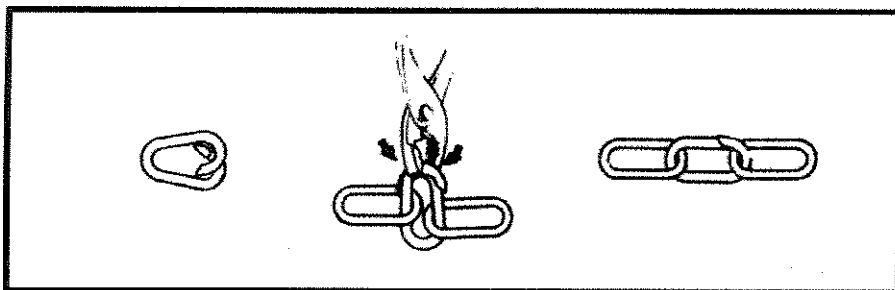


7
Let the chain fall off and remove it.

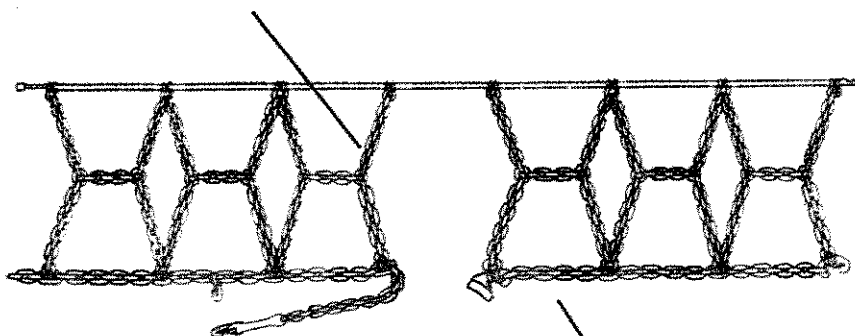
EMERGENT REPAIR OF CROSS CHAIN:



EMERGENT REPAIR OF SIDE CHAIN:



CROSS CHAIN



SIDE CHAIN